



US007531025B2

(12) **United States Patent**
McMackin et al.

(10) **Patent No.:** **US 7,531,025 B2**
(45) **Date of Patent:** ***May 12, 2009**

(54) **METHOD OF CREATING A TURBULENT FLOW OF FLUID BETWEEN A MOLD AND A SUBSTRATE**

(58) **Field of Classification Search** 216/9;
427/258; 425/384
See application file for complete search history.

(75) Inventors: **Ian M. McMackin**, Austin, TX (US);
Nicholas A. Stacey, Austin, TX (US);
Daniel A. Babbs, Austin, TX (US);
Duane J. Voth, Austin, TX (US);
Mathew P. C. Watts, Austin, TX (US);
Van N. Truskett, Austin, TX (US);
Frank Y. Xu, Austin, TX (US); **Ronald D. Voisin**, Austin, TX (US); **Pankaj B. Lad**, Austin, TX (US)

(56) **References Cited**
U.S. PATENT DOCUMENTS
3,997,447 A * 12/1976 Breton et al. 210/360.2

(73) Assignees: **Molecular Imprints, Inc.**, Austin, TX (US); **Board of Regents, University of Texas System**, Austin, TX (US)

(Continued)
FOREIGN PATENT DOCUMENTS

(*) Notice: Subject to any disclaimer, the term of this patent is extended or adjusted under 35 U.S.C. 154(b) by 0 days.

JP 1-196749 8/1989

This patent is subject to a terminal disclaimer.

(Continued)
OTHER PUBLICATIONS

U.S. Appl. No. 10/898,037, filed Jul. 23, 2004, McMackin et al.

(21) Appl. No.: **10/898,034**

Primary Examiner—Shamim Ahmed
(74) *Attorney, Agent, or Firm*—Fish & Richardson P.C.

(22) Filed: **Jul. 23, 2004**

(57) **ABSTRACT**

(65) **Prior Publication Data**

US 2005/0072757 A1 Apr. 7, 2005

Related U.S. Application Data

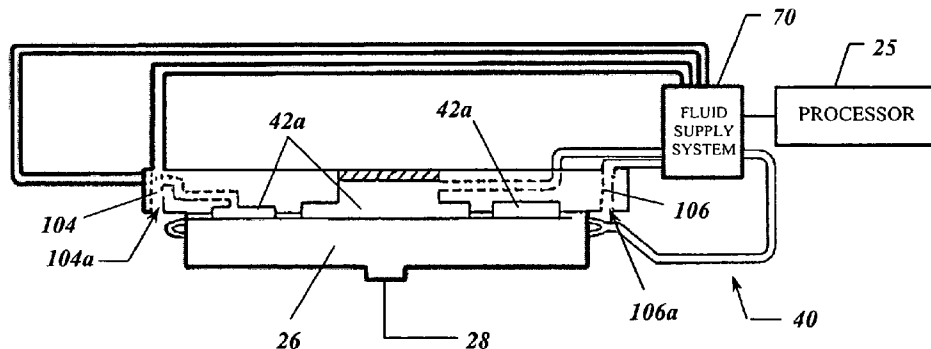
(62) Division of application No. 10/677,639, filed on Oct. 2, 2003, now Pat. No. 7,090,716.

The present invention is directed toward a method of controlling a turbulent flow of a fluid between a substrate and a template, and more specifically, controlling a turbulent flow of a fluid between droplets disposed on a substrate and a template. To that end, the method further comprises the ingress and egression of the fluid through a first and second aperture, and in a further embodiment, a plurality of apertures, to create such a turbulent flow of the fluid.

(51) **Int. Cl.**
B01D 19/00 (2006.01)

(52) **U.S. Cl.** **95/246**; 95/241; 427/258;
425/384; 216/9; 264/85; 264/102

26 Claims, 5 Drawing Sheets



U.S. PATENT DOCUMENTS

4,279,628 A * 7/1981 Wymer et al. 96/313
 4,512,848 A 4/1985 Deckman et al.
 4,731,155 A 3/1988 Napoli et al.
 4,791,810 A * 12/1988 Old et al. 73/119 A
 5,028,366 A 7/1991 Harakal et al.
 5,259,926 A 11/1993 Kuwabara et al.
 5,425,848 A 6/1995 Haisma et al.
 5,512,131 A 4/1996 Kumar et al.
 5,545,367 A 8/1996 Bae et al.
 5,601,641 A 2/1997 Stephens
 5,669,303 A 9/1997 Maracas et al.
 5,772,905 A 6/1998 Chou
 5,776,748 A 7/1998 Singhvi et al.
 5,820,769 A 10/1998 Chou
 5,821,175 A * 10/1998 Engelsberg 438/795
 5,849,209 A 12/1998 Kindt-Larsen et al.
 5,849,222 A 12/1998 Jen et al.
 5,948,470 A 9/1999 Harrison et al.
 5,956,216 A 9/1999 Chou
 6,159,400 A 12/2000 Laquer
 6,218,316 B1 4/2001 Marsh
 6,309,580 B1 10/2001 Chou
 6,334,960 B1 1/2002 Willson et al.
 6,355,198 B1 3/2002 Kim et al.
 6,391,217 B2 5/2002 Schaffer et al.
 6,461,524 B1 * 10/2002 Tsuihiji et al. 210/777
 6,482,742 B1 11/2002 Chou
 6,517,995 B1 2/2003 Jacobson et al.
 6,518,189 B1 2/2003 Chou
 6,579,576 B1 * 6/2003 Miller et al. 427/600
 6,580,172 B2 6/2003 Mancini et al.
 6,646,662 B1 11/2003 Nebashi et al.
 6,696,220 B2 2/2004 Bailey et al.
 6,713,238 B1 3/2004 Chou et al.
 6,776,094 B1 8/2004 Whitesides et al.
 6,809,356 B2 10/2004 Chou
 6,828,244 B2 12/2004 Chou
 6,849,558 B2 2/2005 Schaper
 6,900,881 B2 5/2005 Sreenivasan et al.
 6,908,861 B2 6/2005 Sreenivasan et al.
 6,916,584 B2 7/2005 Sreenivasan et al.
 6,932,934 B2 8/2005 Choi et al.
 2002/0018190 A1 2/2002 Nogawa et al.
 2002/0042027 A1 4/2002 Chou et al.
 2002/0132482 A1 9/2002 Chou
 2002/0167117 A1 11/2002 Chou
 2002/0177319 A1 11/2002 Chou
 2003/0034329 A1 2/2003 Chou
 2003/0062334 A1 4/2003 Lee et al.
 2003/0080471 A1 5/2003 Chou
 2003/0080472 A1 5/2003 Chou
 2004/0021866 A1 2/2004 Watts et al.
 2004/0022888 A1 2/2004 Sreenivasan et al.
 2004/0036201 A1 2/2004 Chou et al.
 2004/0046288 A1 3/2004 Chou
 2004/0110856 A1 6/2004 Young et al.
 2004/0118809 A1 6/2004 Chou et al.
 2004/0124566 A1 7/2004 Sreenivasan et al.
 2004/0129293 A1 * 7/2004 Eichenberger 134/1
 2004/0131718 A1 7/2004 Chou et al.
 2004/0137734 A1 7/2004 Chou et al.
 2004/0156108 A1 8/2004 Chou et al.
 2004/0192041 A1 9/2004 Jeong et al.
 2004/0197843 A1 10/2004 Chou et al.
 2004/0250945 A1 12/2004 Zheng et al.
 2005/0037143 A1 2/2005 Chou et al.
 2005/0072755 A1 4/2005 McMackin et al.
 2005/0072757 A1 4/2005 McMackin et al.

2006/0260641 A1 * 11/2006 Wu et al. 134/1

FOREIGN PATENT DOCUMENTS

JP 02-24848 1/1990
 JP 02-92603 4/1990
 JP 02192045 7/1990
 JP 05-206095 A * 8/1993
 WO 87/02935 5/1987
 WO 99/05724 2/1999
 WO 00/21689 4/2000
 WO 01/47003 6/2001
 WO 02/07199 1/2002
 WO 03/010289 2/2003
 WO 03/079416 9/2003
 WO 03/099536 12/2003
 WO 2004/013693 2/2004
 WO 2004/016406 2/2004
 WO 2004/114016 12/2004

OTHER PUBLICATIONS

Chou, Nanoimprint Lithography and Lithographically Induced Self-Assembly, MRS Bulletin, pp. 512-517, Jul. 1, 2001.
 Choi et al., Design of Orientation Stages for Step and Flash Imprint Lithography, Precision Engineering, pp. 192-199, Jan. 1, 2001.
 Colburn et al., Step and Flash Imprint Lithography for sub-100 nm Patterning, Proceedings of SPIE vol. 3997, pp. 453-457, Jan. 1, 2000.
 Chou et al., Imprint Lithography with 25-Nanometer Resolution, Science vol. 272, pp. 85-87, Apr. 5, 1996.
 Chou et al., Imprint Lithography with Sub-10 nm Feature Size and High Throughput, Microelectronic Engineering 35, pp. 237-240, Jan. 1, 1997.
 Haisma et al., Mole-assisted Nanolithography: A Process for Reliable Pattern Replication, J. Vac. Sci. Technol. B, pp. 4124-4128, Nov. 1, 1996.
 Chou et al., Imprint of Sub-25 nm Vias and Trenches in Polymers, Appl. Phys. Lett. 67 (21), Nov. 20, 1995.
 Johnson et al., Advances in Step and Flash Imprint Lithography, SPIE Microlithography Conference, Feb. 23, 2003.
 Chou et al., Lithographically Induced Self-assembly of Periodic Polymer Micropillar Arrays, J. Vac. Sci. Technol. B 17 (6), pp. 3197-3202, Nov. 1, 1999.
 Colburn et al., Step and Flash Imprint Lithography: A New Approach to High-Resolution Patterning, Proc. Of SPIE, vol. 3676, Mar. 1, 1999.
 Heidari, Nanoimprint Lithography at the 6 in. Wafer Scale, J. Vac. Sci. Technol. B 18(6), pp. 3557-3560, Nov. 1, 2000.
 Translation of Japanese Patent 02-92603.
 Translation of Japanese Patent 02-24848.
 Chou et al., Ultrafast and Direct Imprint of Nanostructures in Silicon, Nature, Col. 417, (Jun. 2002), pp. 835-837, Jun. 1, 2002.
 Chou et al., Nanoimprint Lithography, Journal of Vacuum Science Technology B 14(16), pp. 4129-4133, Nov. 1, 1996.
 Colburn et al., Development and Advantages of Step-and-Flash Lithography, Solid State Technology, Jul. 1, 2001.
 Colburn et al., Characterization and Modeling of Volumetric and Mechanical Properties for Step and Flash Imprint Lithography Photopolymers, Journal of Vacuum Science Technology, vol. b. 19(6), Nov. 1, 2001.
 Bailey et al., Step and Flash Imprint Lithography: Defect Analysis, Journal of Vacuum Science, B 19(6), pp. 2806-2810, Nov. 1, 2001.
 Bailey et al., Step and Flash Imprint Lithography: Template Surface Treatment and Defect Analysis, Journal of Vacuum Science, B 18(6), pp. 3572-3577, Nov. 1, 2000.
 Feynman, There's Plenty of Room at the Bottom, Dec. 1, 1959.
 Xia et al., Soft Lithography, Angew. Chem. Int. Ed., pp. 550-575 Jan. 1, 1998.
 Nguyen, Asymmetric Fluid-Structure Dynamics in Nanoscale Imprint Lithography, The University of Texas at Austin, pp. 1-111 Aug. 1, 2001.
 Abstract of Japanese Patent 02-92603, Aug. 12, 2004.
 Abstract of Japanese Patent 02-24848, Jan. 26, 1990.

U.S. Appl. No. 11/126,946, naming Inventors Choi et al., entitled Formation of Discontinuous Films During an Imprint Lithography Process, filed May 11, 2005.

U.S. Appl. No. 11/127,041, naming Inventors Sreenivasan et al., entitled Step and Repeat Imprint Lithography Processes, filed May 11, 2005.

U.S. Appl. No. 11/127,060, naming Inventors Sreenivasan et al., entitled Step and Repeat Imprint Lithography Systems, filed May 11, 2005.

Fuchs et al., Large Scale Homogeneity of UV based Nanoimprint, First International Conference on NNT 2002, San Francisco/USA Dec. 11, 2002.

Nordquist et al., Image Placement Issues for ITO-based Step and Flash Imprint Lithography Templates, J. Vac. Sci. Technol. B, pp. 695-701 Mar. 1, 2004.

* cited by examiner

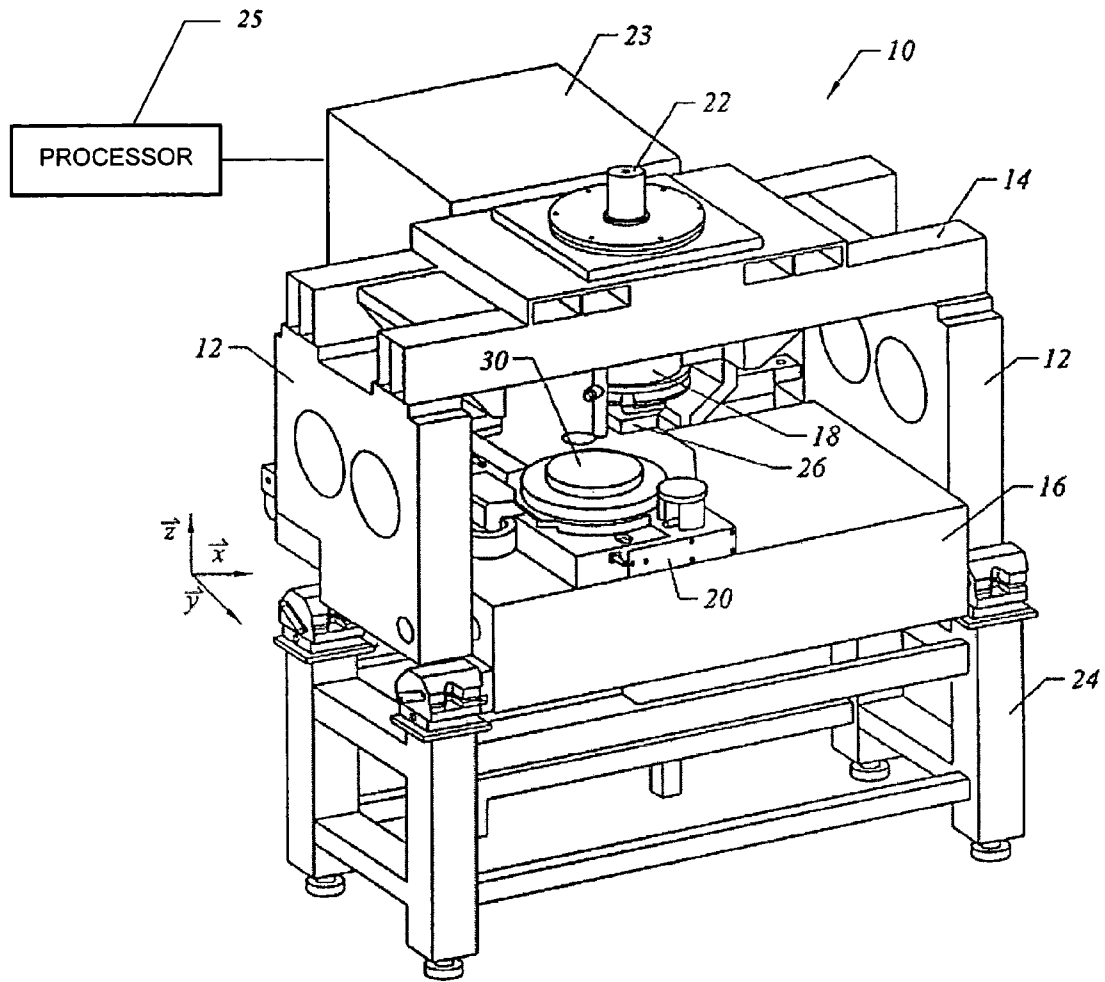


Fig. 1

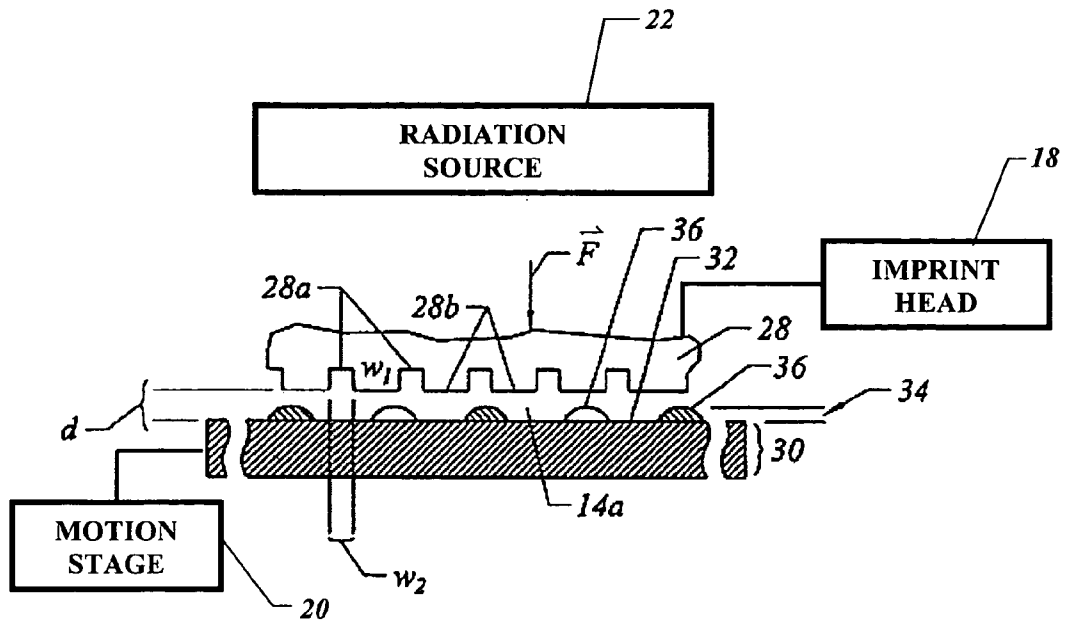


Fig. 2

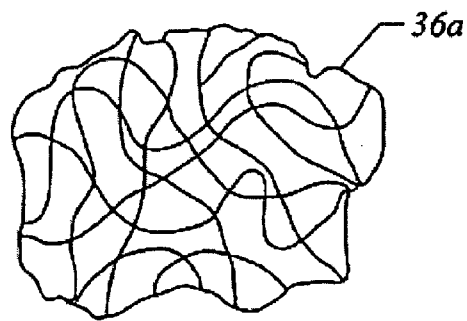


Fig. 3

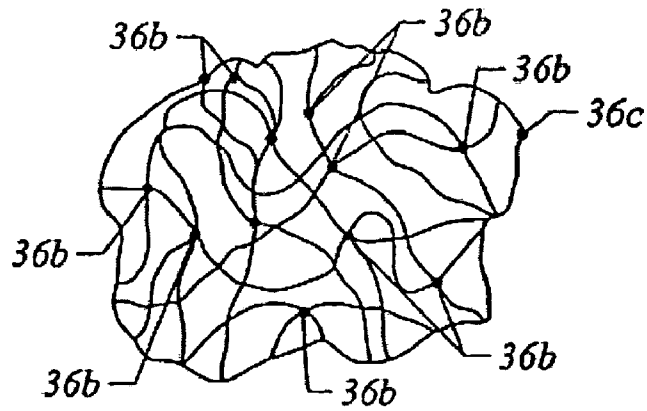


Fig. 4

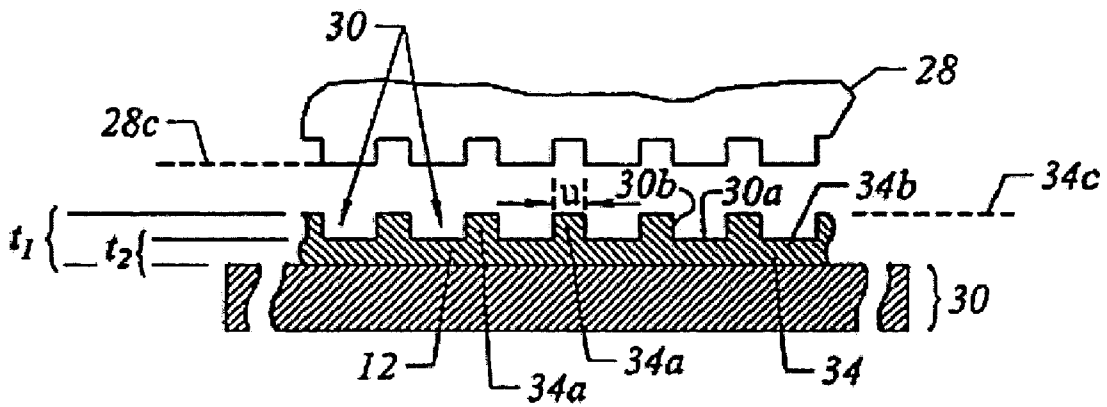


Fig. 5

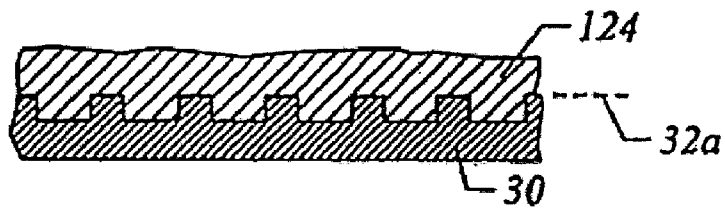


Fig. 6

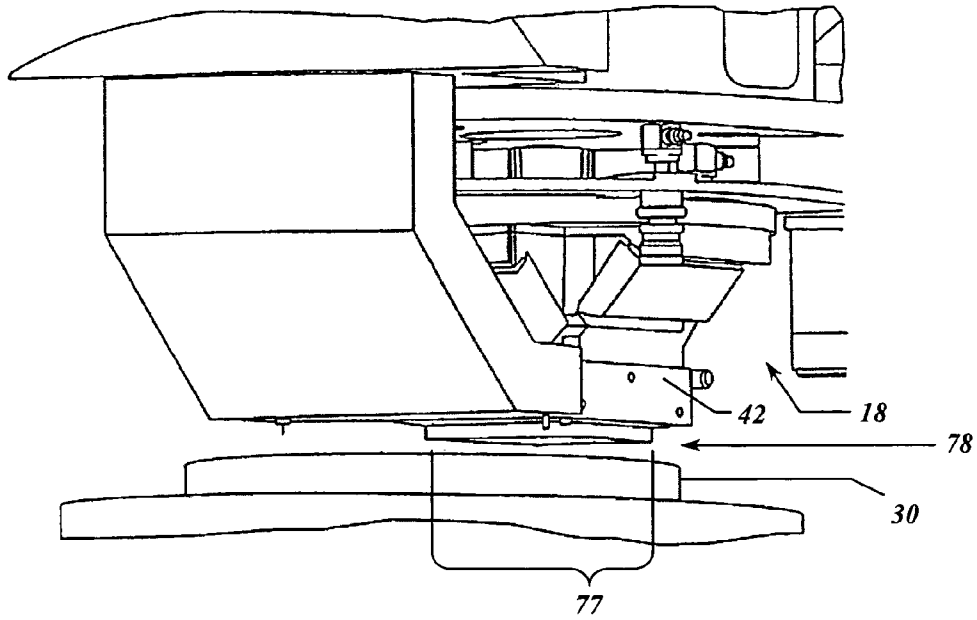


Fig. 7

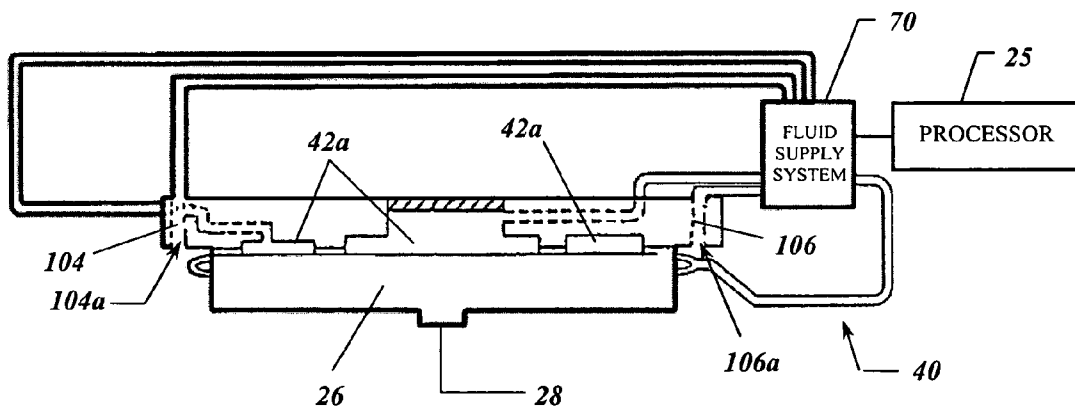


Fig. 8

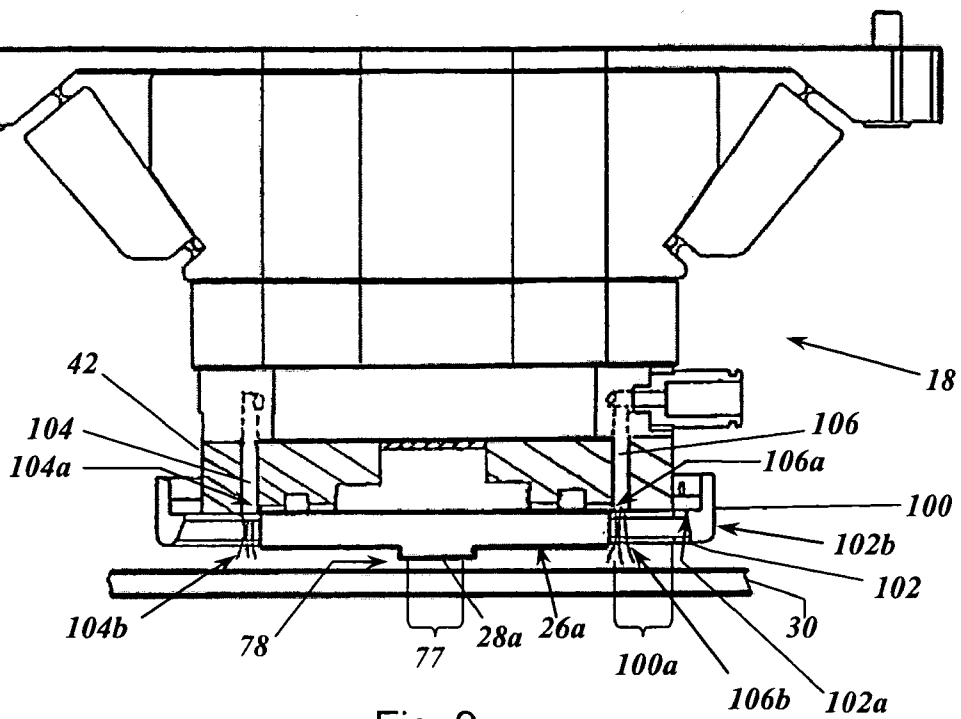


Fig. 9

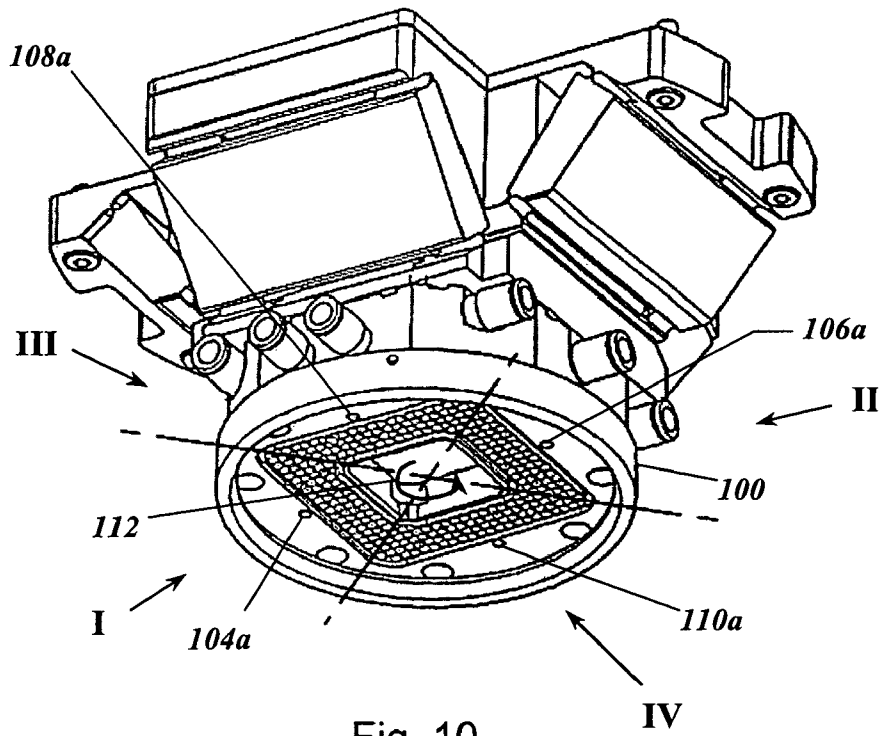


Fig. 10

1

METHOD OF CREATING A TURBULENT FLOW OF FLUID BETWEEN A MOLD AND A SUBSTRATE

CROSS-REFERENCE TO RELATED APPLICATIONS

The present application is a divisional, and claims priority from U.S. patent application Ser. No. 10/677,639 filed on Oct. 2, 2003, entitled "Single Phase Fluid Imprint Lithography Method," which issued as U.S. Pat. No. 7,090,716, and which is incorporated by reference herein.

BACKGROUND OF THE INVENTION

The field of invention relates generally to imprint lithography. More particularly, the present invention is directed to a system for controlling a flow of a substance over an imprinting material.

Micro-fabrication involves the fabrication of very small structures, e.g., having features on the order of micro-meters or smaller. One area in which micro-fabrication has had a sizeable impact is in the processing of integrated circuits. As the semiconductor processing industry continues to strive for larger production yields while increasing the circuits per unit area formed on a substrate, micro-fabrication becomes increasingly important. Micro-fabrication provides greater process control while allowing increased reduction of the minimum feature dimension of the structures formed. Other areas of development in which micro-fabrication has been employed include biotechnology, optical technology, mechanical systems and the like.

An exemplary micro-fabrication technique is shown in U.S. Pat. No. 6,334,960 to Willson et al. Willson et al. disclose a method of forming a relief image in a structure. The method includes providing a substrate having a transfer layer. The transfer layer is covered with a polymerizable fluid composition. A mold makes mechanical contact with the polymerizable fluid. The mold includes a relief structure, and the polymerizable fluid composition fills the relief structure. The polymerizable fluid composition is then subjected to conditions to solidify and polymerize the same, forming a solidified polymeric material on the transfer layer that contains a relief structure complimentary to that of the mold. The mold is then separated from the solid polymeric material such that a replica of the relief structure in the mold is formed in the solidified polymeric material. The transfer layer and the solidified polymeric material are subjected to an environment to selectively etch the transfer layer relative to the solidified polymeric material such that a relief image is formed in the transfer layer. The time required and the minimum feature dimension provided by this technique is dependent upon, inter alia, the composition of the polymerizable material.

U.S. Pat. No. 5,772,905 to Chou discloses a lithographic method and apparatus for creating ultra-fine (sub-25 nm) patterns in a thin film coated on a substrate in which a mold having at least one protruding feature is pressed into a thin film carried on a substrate. The protruding feature in the mold creates a recess of the thin film. The mold is removed from the film. The thin film then is processed such that the thin film in the recess is removed, exposing the underlying substrate. Thus, patterns in the mold are replaced in the thin film, completing the lithography. The patterns in the thin film will be, in subsequent processes, reproduced in the substrate or in another material which is added onto the substrate.

Yet another imprint lithography technique is disclosed by Chou et al. in *Ultrafast and Direct Imprint of Nanostructures*

2

in *Silicon*, Nature, Col. 417, pp. 835-837, June 2002, which is referred to as a laser assisted direct imprinting (LADI) process. In this process a region of a substrate is made flowable, e.g., liquefied, by heating the region with the laser. After the region has reached a desired viscosity, a mold, having a pattern thereon, is placed in contact with the region. The flowable region conforms to the profile of the pattern and is then cooled, solidifying the pattern into the substrate. A concern with this technique involves pattern distortions attributable to the presence of gases in the flowable region.

It is desired, therefore, to provide a system to reduce distortions in patterns formed using imprint lithographic techniques.

SUMMARY OF THE INVENTION

The present invention is directed toward a method of controlling a turbulent flow of a fluid between a substrate and a template, and more specifically, controlling a turbulent flow of a fluid between droplets disposed on a substrate and a template. To that end, the method further comprises the ingress and egression of the fluid through a first and second aperture, and in a further embodiment, a plurality of apertures, to create such a turbulent flow of the fluid. These and other embodiments are described more fully below

BRIEF DESCRIPTION OF THE DRAWINGS

FIG. 1 is a perspective view of a lithographic system in accordance with the present invention;

FIG. 2 is a simplified elevation view of a lithographic system shown in FIG. 1;

FIG. 3 is a simplified representation of material from which an imprinting layer, shown in FIG. 2, is comprised before being polymerized and cross-linked;

FIG. 4 is a simplified representation of cross-linked polymer material into which the material shown in FIG. 3 is transformed after being subjected to radiation;

FIG. 5 is a simplified elevation view of a mold spaced-apart from the imprinting layer, shown in FIG. 1, after patterning of the imprinting layer;

FIG. 6 is a simplified elevation view of an additional imprinting layer positioned atop the substrate shown in FIG. 5 after the pattern in the first imprinting layer is transferred therein;

FIG. 7 is a detailed perspective view of a print head shown in FIG. 1;

FIG. 8 is a cross-sectional view of a chucking system in accordance with the present invention;

FIG. 9 is detailed cross-sectional view of an imprint head shown in FIG. 7; and

FIG. 10 is a bottom-up perspective view of the imprint head shown in FIG. 9.

DETAILED DESCRIPTION OF THE INVENTION

FIG. 1 depicts a lithographic system 10 in accordance with one embodiment of the present invention that includes a pair of spaced-apart bridge supports 12 having a bridge 14 and a stage support 16 extending therebetween. Bridge 14 and stage support 16 are spaced-apart. Coupled to bridge 14 is an imprint head 18, which extends from bridge 14 toward stage support 16 and provides movement along the Z-axis. Disposed upon stage support 16 to face imprint head 18 is a motion stage 20. Motion stage 20 is configured to move with respect to stage support 16 along X- and Y-axes. It should be understood that imprint head 18 may provide movement

along the X- and Y-axes, as well as in the Z-axis, and motion stage 20 may provide movement in the Z-axis, as well as in the X and Y axes. An exemplary motion stage device is disclosed in U.S. patent application Ser. No. 10/194,414, filed Jul. 11, 2002, entitled "Step and Repeat Imprint Lithography Systems," assigned to the assignee of the present invention, and which is incorporated by reference herein in its entirety. A radiation source 22 is coupled to lithographic system 10 to impinge actinic radiation upon motion stage 20. As shown, radiation source 22 is coupled to bridge 14 and includes a power generator 23 connected to radiation source 22. Operation of lithographic system 10 is typically controlled by a processor 25 that is in data communication therewith.

Referring to both FIGS. 1 and 2, connected to imprint head 18 is a template 26 having a mold 28 thereon. Mold 28 includes a plurality of features defined by a plurality of spaced-apart recessions 28a and protrusions 28b. The plurality of features defines an original pattern that is to be transferred into a substrate 30 positioned on motion stage 20. To that end, imprint head 18 and/or motion stage 20 may vary a distance "d" between mold 28 and substrate 30. In this manner, the features on mold 28 may be imprinted into a flowable region of substrate 30, discussed more fully below. Radiation source 22 is located so that mold 28 is positioned between radiation source 22 and substrate 30. As a result, mold 28 is fabricated from a material that allows it to be substantially transparent to the radiation produced by radiation source 22.

Referring to both FIGS. 2 and 3, a flowable region, such as an imprinting layer 34, is disposed on a portion of a surface 32 that presents a substantially planar profile. A flowable region may be formed using any known technique, such as a hot embossing process disclosed in U.S. Pat. No. 5,772,905, which is incorporated by reference in its entirety herein, or a laser assisted direct imprinting (LADI) process of the type described by Chou et al. in *Ultrafast and Direct Imprint of Nanostructures in Silicon*, Nature, Col. 417, pp. 835-837, June 2002. In the present embodiment, however, a flowable region consists of imprinting layer 34 being deposited as a plurality of spaced-apart discrete droplets 36 of a material 36a on substrate 30, discussed more fully below. An exemplary system for depositing droplets 36 is disclosed in U.S. patent application Ser. No. 10/191,749, filed Jul. 9, 2002, entitled "System and Method for Dispensing Liquids," assigned to the assignee of the present invention, and which is incorporated by reference herein in its entirety. Imprinting layer 34 is formed from material 36a that may be selectively polymerized and cross-linked to record the original pattern therein, defining a recorded pattern. An exemplary composition for material 36a is disclosed in U.S. patent application Ser. No. 10/463,396, filed Jun. 16, 2003, and entitled "Method to Reduce Adhesion Between a Conformable Region and a Pattern of a Mold," which is incorporated by reference in its entirety herein. Material 36a is shown in FIG. 4 as being cross-linked at points 36b, forming a cross-linked polymer material 36c.

Referring to FIGS. 2, 3 and 5, the pattern recorded in imprinting layer 34 is produced, in part, by mechanical contact with mold 28. To that end, distance "d" is reduced to allow droplets 36 to come into mechanical contact with mold 28, spreading droplets 36 so as to form imprinting layer 34 with a contiguous formation of material 36a over surface 32. In one embodiment, distance "d" is reduced to allow sub-portions 34a of imprinting layer 34 to ingress into and fill recessions 28a.

To facilitate filling of recessions 28a, material 36a is provided with the requisite properties to completely fill recessions 28a, while covering surface 32 with a contiguous for-

mation of material 36a. In the present embodiment, sub-portions 34b of imprinting layer 34 in superimposition with protrusions 28b remain after the desired, usually minimum, distance "d" has been reached, leaving sub-portions 34a with a thickness t_1 , and sub-portions 34b with a thickness, t_2 . Thicknesses "t₁" and "t₂" may be any thickness desired, dependent upon the application. Typically, t_1 is selected so as to be no greater than twice the width u of sub-portions 34a, i.e., $t_1 \leq 2u$, shown more clearly in FIG. 5.

Referring to FIGS. 2, 3 and 4, after a desired distance "d" has been reached, radiation source 22 produces actinic radiation that polymerizes and cross-links material 36a, forming cross-linked polymer material 36c. As a result, the composition of imprinting layer 34 transforms from material 36a to cross-linked polymer material 36c, which is a solid. Specifically, cross-linked polymer material 36c is solidified to provide side 34c of imprinting layer 34 with a shape conforming to a shape of a surface 28c of mold 28, shown more clearly in FIG. 5. After imprinting layer 34 is transformed to consist of cross-linked polymer material 36c, shown in FIG. 4, imprint head 18, shown in FIG. 2, is moved to increase distance "d" so that mold 28 and imprinting layer 34 are spaced-apart.

Referring to FIG. 5, additional processing may be employed to complete the patterning of substrate 30. For example, substrate 30 and imprinting layer 34 may be etched to transfer the pattern of imprinting layer 34 into substrate 30, providing a patterned surface 32a, shown in FIG. 6. To facilitate etching, the material from which imprinting layer 34 is formed may be varied to define a relative etch rate with respect to substrate 30, as desired. The relative etch rate of imprinting layer 34 to substrate 30 may be in a range of about 1.5:1 to about 100:1.

Alternatively, or in addition to, imprinting layer 34 may be provided with an etch differential with respect to photo-resist material (not shown) selectively disposed thereon. The photo-resist material (not shown) may be provided to further pattern imprinting layer 34, using known techniques. Any etch process may be employed, dependent upon the etch rate desired and the underlying constituents that form substrate 30 and imprinting layer 34. Exemplary etch processes may include plasma etching, reactive ion etching, chemical wet etching and the like.

Referring to FIGS. 7 and 8, template 26, upon which mold 28 is present, is coupled to an imprint head housing 18a via a chucking system 40 that includes a chuck body 42. Chuck body 42 is adapted to retain template 26 upon which mold 28 is attached employing vacuum techniques. To that end, chuck body 42 includes one or more recesses 42a that are in fluid communication with a pressure control system, such as a fluid supply system 70. Fluid supply system 70 may include one or more pumps to provide both positive and negative pressure, as well as a supply of fluid to facilitate reducing, if not preventing, trapping of gases, such as air, in imprinting layer 34, shown in FIG. 5. An exemplary chucking system is disclosed in U.S. patent application Ser. No. 10/293,224, entitled "Chucking System For Modulating Shapes of Substrates," assigned to the assignee of the present invention, and which is incorporated by reference in its entirety herein.

As discussed above, during imprinting template 26 and, therefore, mold 28, is brought into proximity with substrate 30 before patterning imprinting material 36a, shown in FIG. 3, is disposed on a region 77 of substrate 30. Specifically, template 26 is brought within microns of substrate 30, e.g., 15 microns more or less. It has been found desirable to perform localized control of the atmosphere 78 that is proximate to both template 26 and region 77. For example, to avoid the deleterious effects of gases present in imprinting material

36a, shown in FIG. 3, and/or subsequently trapped in the patterned imprinting layer 34, shown in FIG. 2, it has been found beneficial to control the consistency of fluid in atmosphere 78 and/or the pressure of atmosphere 78.

Referring to FIG. 9, to facilitate control of atmosphere 78, chuck body 42 is designed to facilitate the passage of fluids proximate to mold 28 and imprint head 18 includes a baffle 100 surrounding template 26. Specifically, baffle 100 extends from imprint head 18, terminating in a nadir 102 that lies in a plane in which a surface 26a lies. In this fashion, mold 28 extends beyond nadir 102 to facilitate contact with region 77. Chuck body 42 includes one or more throughways, two of which are shown as 104 and 106. Apertures 104a and 106a of throughways 104 and 106, respectively, are disposed in a surface of chuck body 42 disposed between template 26 and baffle 100, referred to as a peripheral surface 100a. Throughways 104 and 106 place apertures 104a and 106a in fluid communication with fluid supply system 70, shown in FIG. 8. Baffle 100 functions to slow the movement of fluid exiting apertures 104a and 106a away from mold 28. To that end, baffle 100 includes first and second opposed surfaces 102a and 102b. First opposed surface 102a extends from nadir 102 away from substrate 30 and faces template 26. Second opposed surface 102b extends from nadir 102 away from substrate 30 and faces away from mold 28. Although it is not necessary, first opposed surface 102a is shown extending obliquely with respect to second opposing surface 102b. With this configuration, atmosphere 78 may be controlled by introduction or evacuation of fluid through apertures 104a and 106a. However, first and second opposed surfaces 102a and 102b may extend parallel to one another from nadir 102.

Referring to FIGS. 3, 8 and 9, in one embodiment, atmosphere 78 is established so that the transport of the gases present therein to imprinting material 36a in region 77 is increased. The term transport is defined to mean any mechanism by which the propagation of gases through imprinting material 36a is increased, e.g., increased solubility, increased diffusion and the like. To that end, fluid supply system 70 may include a supply of imprinting material 36a. Under control of processor 25, which is in data communication with fluid supply system 70, imprinting material 36a may be introduced through apertures 104a and 106a to saturate atmosphere 78 with imprinting material 36a. This was found to reduce, if not completely do away with, the quantity of gases, such as air, trapped in the imprinting layer 34, shown in FIG. 5, during imprint processes. This is beneficial as it was found that the presence of air in imprinting layer 34, shown in FIG. 5, creates undesirable voids. Alternatively, it was found that by saturating atmosphere 78 with carbon dioxide and/or helium the quantity of air trapped in imprinting layer 34, shown in FIG. 5, was substantially reduced if not avoided. It should be understood that a mixture of imprinting material 36a, carbon dioxide and/or helium may be introduced into atmosphere 78 to reduce the quantity of air trapped in imprinting layer 34, shown in FIG. 5.

Referring to FIGS. 2, 9 and 10, a difficulty encountered with respect to introducing fluids was to ensure that the molecules in the fluid streams 104b and 106b exiting apertures 104a and 106a, respectively, traveled to a region of the atmosphere positioned between mold 28 and droplets 36, and before contact of droplets 36 with mold 28. This region of atmosphere 78 is referred to as a processing region 78a. As shown, apertures 104a and 106a are disposed about peripheral surface 100a, which is spaced-apart from processing region 78a. Given that the separation of mold 28 from region 77 is on the order of microns, the relative dimensions of the molecules in fluid streams 104b and 106b and the spacing

between mold 28 and region 77 makes difficult the ingress of the aforementioned molecules into processing region 78a.

Referring to FIGS. 8 and 9, one manner in which to overcome the aforementioned difficulty is to have fluid supply system 70 under control of processor 25. A memory (not shown) is in data communication with processor 25. The memory (not shown) comprises a computer-readable medium having a computer-readable program embodied therein. The computer-readable program includes instructions to pulse fluid streams 104b and 106b into atmosphere 78 having a desired mixture of molecules, discussed above. In this manner, laminar flow of fluid streams 104b and 106b may be avoided. It is believed that by providing fluid streams 104b and 106b with turbulent flow, the probability will be increased that a sufficient quantity of the molecules contained therein will reach processing region 78a to reduce, if not avoid, the presence of gases being trapped in imprinting layer 34. To that end, fluid may be pulsed through both apertures 104a and 106a, concurrently, or sequentially pulsed through the same, i.e., first fluid is introduced through aperture 104a and subsequently through aperture 106a and then again through 104a, with the process being repeated for a desired time or during the entire imprinting process. Furthermore, the timing of the flow of gas into processing region 78a is important because it is desired that a sufficient quantity of molecules contained therein reach processing region 78a before contact is made between mold 28 and droplets 36.

Referring to FIG. 9, alternatively, fluid may be pulsed through one of the apertures, e.g., aperture 104a, and then evacuated through the remaining aperture, e.g., aperture 106a. In this manner, fluid would be drawn across processing region 78a. It may also be advantageous to pulse the fluid through both apertures 104a and 106a, concurrently, then evacuate through both apertures 104a and 106a concurrently. It is desired, however, that the flow rate of fluid be established to minimize, if not avoid, movement of droplets 36, shown in FIG. 2.

To ensure that the fluids exiting apertures 104a and 106a crosses through processing region 78a, it may be advantageous to concurrently pulse fluid through both apertures 104a and 106a concurrently and then alternately evacuate through one of apertures 104a or 106a. Concurrently introducing the fluid through both apertures 104a and 106a minimizes the time required to saturate atmosphere 78. Alternately evacuating the fluid through one of apertures 104a and 106a ensures that the fluid travels through processing region 78a. For example, a first step would include introducing fluid into atmosphere 78 through both apertures 104a and 106a. A second step would include evacuating the fluid through one of apertures 104a and 106a, e.g., aperture 104a. Thereafter, at a third step, fluid would be introduced into atmosphere 78 through both apertures 104a and 106a, concurrently. At a fourth step, fluid would be evacuated through one of apertures 104a and 106a that was not employed in the previous step to remove fluid, e.g., aperture 106a. It should be understood that evacuation may occur through one of apertures 104a and 106a, while fluid is being introduced through the remaining aperture of apertures 104a and 106a. Alternatively, evacuation may occur in the absence of a fluid flow into atmosphere 78. The desired result is that fluid ingress into atmosphere 78 and fluid evacuation therefrom occurs so that the desired concentration of fluid is present.

Referring to FIGS. 9 and 10, in another embodiment, a plurality of apertures may be disposed about peripheral surface 100a so that each of the apertures of a pair is disposed opposite one another on opposite sides of template 26. This is shown by aperture pair 104a and 106a being disposed oppo-

site one another on opposite sides of template 26. A second aperture pair is shown as 108a and 110a. Apertures 108a and 110a are disposed opposite one another on opposite sides of template 26.

As shown, each of apertures 104a, 106a, 108a and 110a, are arranged to lie on a common circle with adjacent apertures being spaced-apart therefrom by 90°. In this manner, each of apertures 104a, 106a, 108a and 110a are arranged to facilitate fluid flow in/out of a different quadrant of chuck body 42. Specifically, aperture 104a facilitates fluid flow in/out of quadrant I; aperture 106a facilitates fluid flow in/out of quadrant II; aperture 108a facilitates fluid flow in/out of quadrant III; and aperture 110a facilitates fluid flow in/out of quadrant IV. However, any number of apertures may be employed, e.g., more than one per quadrant with differing quadrants having differing numbers of apertures and arranged in any spatial arrangement desired. Each of these arrangements should facilitate introduction and/or evacuation of a plurality of flows of fluid streams into atmosphere 78, with a subset of the plurality of flows being introduced to differing regions about template 26. It is believed that introduction of the multiple flows of fluid streams provides a turbulent flow of fluid in atmosphere 78. This, it is believed, increases the probability that molecules in the fluid streams would reach processing region 78a. However, fluid flow into atmosphere 78 through each of the apertures 104a, 106a, 108a and 110a and evacuation of fluid from atmosphere 78 therethrough may occur in any manner discussed above.

In another embodiment, a fluid stream may be introduced through each of apertures 104a, 106a, 108a and 110a sequentially so that a flow cell 112 may be created between template 26 and region 77. Flow cell 112 would facilitate ingress of molecules in the fluid streams into processing region 78a to provide the benefits mentioned above. For example, first a fluid flow may be introduced through aperture 104a and then terminated. After termination of fluid flow through aperture 104a, fluid flow through aperture 106a is commenced to introduce fluid into atmosphere 78. Subsequently, fluid flow through aperture 106a is terminated. After termination of fluid flow through aperture 106a, fluid flow through aperture 108a is commenced to introduce fluid into atmosphere 78. Fluid flow in through aperture 108a is subsequently terminated. After termination of fluid flow through aperture 108a, fluid flow through aperture 110a is commenced to introduce fluid into atmosphere 78. In this manner, fluid is introduced into atmosphere 78 through a single quadrant at any given time. However, it may be desirable to introduce fluid into more than one quadrant. Although this may frustrate creation of flow cell 112, it is within confines of the present invention.

Alternatively, sequential introduction and evacuation through apertures 104a, 106a, 108a and 110a may be undertaken to create flow cell 112. This would include introducing fluid through one or more of apertures 104a, 106a, 108a and 110a, concurrently. Subsequently, sequential evacuation may occur through each of apertures 104a, 106a, 108a and 110a to create flow cell 112. For example, fluid may be introduced through all apertures in chuck body 42, concurrently. Thereafter, fluid may be evacuated from each of apertures 104a, 106a, 108a and 110a, one at a time. Before, the concentration in atmosphere 78 of fluid introduced through apertures 104a, 106a, 108a and 110a went below a desired level due to evacuation. The fluid may then be reintroduced through one or all of apertures 104a, 106a, 108a and 110a again and the process repeated to create and/or maintain flow cell 112.

The embodiments of the present invention described above are exemplary. Many changes and modifications may be made to the disclosure recited above, while remaining within

the scope of the invention. Therefore, the scope of the invention should not be limited by the above description, but instead should be determined with reference to the appended claims along with their full scope of equivalents.

What is claimed is:

1. A method of introducing a fluid between a mold, disposed on a template, and a substrate, said method comprising: introducing a flow of said fluid proximate to said template to produce a turbulent flow of said fluid between said substrate and said template, with said turbulent flow moving a portion of said fluid in said flow between said mold and said substrate to minimize gases positioned between said substrate and said template.
2. The method as recited in claim 1 wherein introducing further includes pulsing said flow of said fluid into a region adjacent to said template and in superimposition with said substrate.
3. The method as recited in claim 1 wherein introducing further includes pulsing said flow of said fluid at multiple regions in superimposition with said substrate and located at differing positions about a periphery of said template.
4. The method as recited in claim 1 wherein introducing further includes pulsing said flow of said fluid, with pulsing further including injecting said fluid sequentially through multiple regions at differing positions about a periphery of said template to create flow cell in an atmosphere located between said mold and said substrate.
5. The method as recited in claim 1 wherein introducing further includes sequentially pulsing and evacuating said fluid into a region adjacent to said template and in superimposition with said substrate.
6. The method as recited in claim 1 wherein introducing further includes concurrently introducing a plurality of flows of said fluid about said template.
7. The method as recited in claim 1 wherein introducing further includes sequentially introducing a plurality of flows of said fluid at differing regions about said template.
8. The method as recited in claim 1 wherein introducing further includes concurrently introducing said flow while evacuating said fluid introduced by said flow at a region disposed opposite to said flow.
9. The method as recited in claim 1 wherein introducing further includes concurrently introducing said flow, at a first region, while evacuating said fluid introduced by said flow, at a second region, with said first and second regions being in superimposition with said substrate and said mold being disposed between said first and second regions.
10. The method as recited in claim 1 wherein said fluid ingresses concurrently at a plurality of first regions, while evacuating said fluid introduced by said flow, at a plurality of second regions, with said first and second regions being in superimposition with said substrate, with said mold being disposed between a subset of said plurality of first and second regions.
11. A method of introducing a fluid between a mold, disposed on a template, and a substrate, said method comprising: introducing a plurality of flows of said fluid at differing regions about a periphery of said template to produce a turbulent flow of said fluid between said substrate and said template, with said turbulent flow moving a portion of said fluid in said flow between said mold and said substrate to minimize gases positioned between said substrate and said template.
12. The method as recited in claim 11 wherein introducing further includes introducing said fluid at differing regions about said periphery of said template sequentially to define a sequence of fluid flows that rotates about said periphery.

13. The method as recited in claim 11 wherein introducing further includes pulsing a flow of said fluid at multiple regions in superimposition with said substrate and located at differing positions about said periphery of said template.

14. The method as recited in claim 11 wherein pulsing further includes injecting said fluid sequentially through multiple regions at differing positions about said periphery of said template to create a flow cell in an atmosphere located between said mold and said substrate.

15. The method as recited in claim 11 wherein introducing further includes sequentially pulsing and evacuating said fluid into a region adjacent to said template and in superimposition with said substrate.

16. A method of introducing a fluid between a mold, disposed on a template, and a substrate, said method comprising: introducing a flow of said fluid into a region adjacent to said template and in superimposition with said substrate to produce a turbulent flow of said fluid between said substrate and said template, with said turbulent flow moving a portion of said fluid in said flow between said mold and said substrate to minimize gases positioned between said substrate and said template.

17. The method as recited in claim 16 wherein introducing further includes pulsing said flow of said fluid at multiple regions in superimposition with said substrate and located at differing positions about a periphery of said template.

18. The method as recited in claim 16 wherein introducing further includes sequentially pulsing and evacuating said fluid into said region.

19. The method as recited in claim 16 wherein introducing further includes concurrently introducing a plurality of flows of said fluid about said template.

20. The method as recited in claim 16 wherein introducing further includes sequentially introducing a plurality of flows of said fluid at differing regions about said template.

21. The method as recited in claim 16 wherein introducing further includes concurrently introducing said flow while evacuating said fluid introduced by said flow at a second region disposed opposite to said flow.

22. The method as recited in claim 1 wherein the introducing step further comprises the step of minimizing gases positioned within said fluid.

23. The method as recited in claim 11 wherein the introducing step further comprises the step of minimizing gases positioned within said fluid.

24. The method as recited in claim 16 wherein the introducing step further comprises the step of minimizing gases positioned within said fluid.

25. A method of introducing a fluid between a mold, disposed on a template, and a substrate, said method comprising: depositing a plurality of spaced-apart discrete droplets of a polymerizable material on the substrate; and controlling a turbulent flow of a fluid between droplets disposed on the substrate to minimize movement of the droplets and to minimize gases positioned between the substrate and the template.

26. A method of introducing a fluid between a mold, disposed on a template, and a substrate, said method comprising: depositing a flowable region on the substrate, wherein the substrate is substantially planar; and controlling a turbulent flow of a fluid between the substrate and the template to minimize gases positioned between said substrate and said mold.

* * * * *