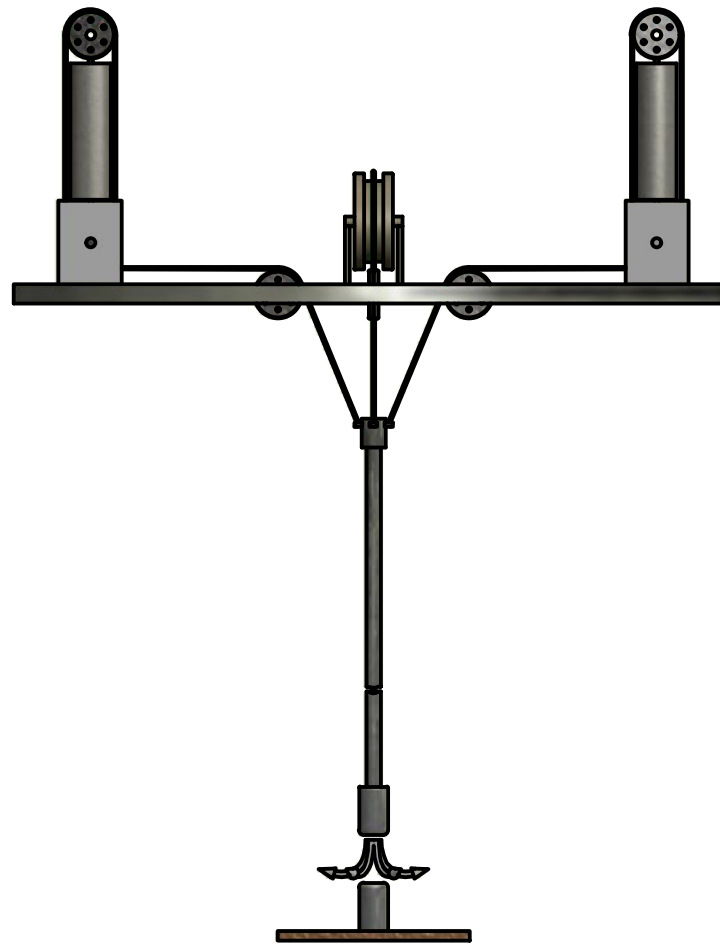
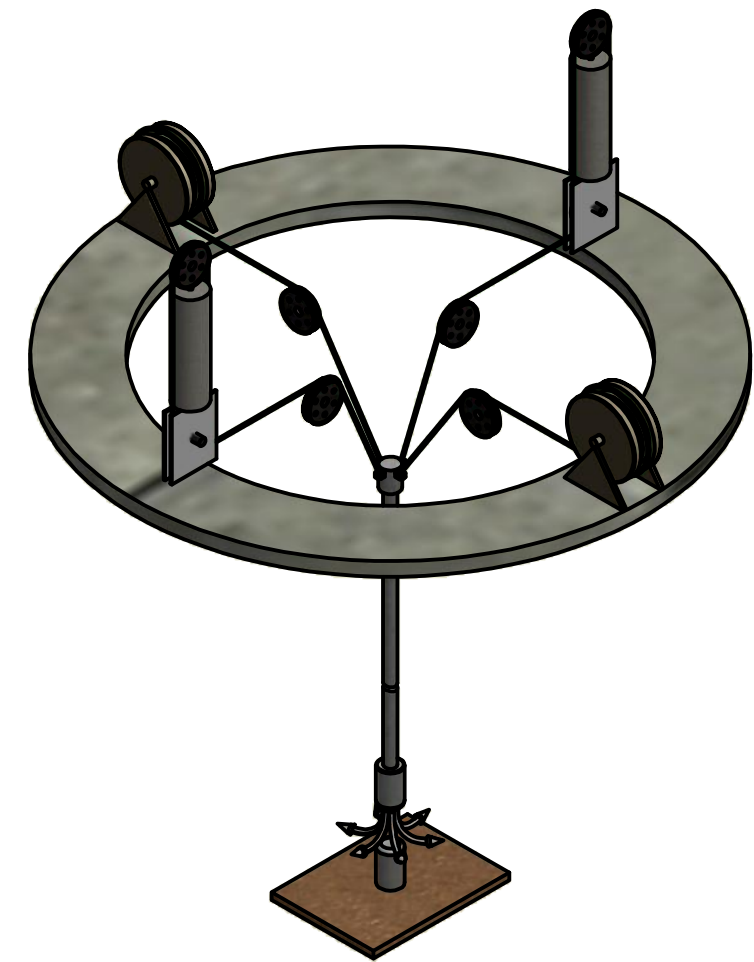


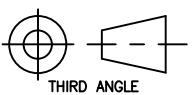
FRONT VIEW ( 1 : 2 )



SIDE VIEW ( 1 : 2 )



ISO VIEW ( 1 : 2 )



THIRD ANGLE

00	FDR REVIEW	2014-12-08	CAD	YW	YW	SAR	AKA	<b>ASPIN KEMP &amp; ASSOCIATES</b> THE INFORMATION AND DESIGN DISCLOSED HEREIN WAS ORIGINATED AND IS THE PROPERTY OF AKA. AKA RESERVES ALL RIGHTS.		----- <b>MOTOR TENSIONER</b> MECHANICAL	DATE CREATED: 2014-12-08 DRAWN: CAD APPRD: ---	JOB NUMBER: XXXX-001 PSS NO: ---	= SxXX -ZXXX, XX Sht. 001 NS/Pg - 00A
ALT. NO.	ALTERATION DESCRIPTION	DATE	DRFT.	CHKR.	ENGR.	MGR.	DERIVED FR./SUPERCEDES/SUPERS. BY	SCALE:					

(3) --- - 0 - - - - - - - - - - - MXXX